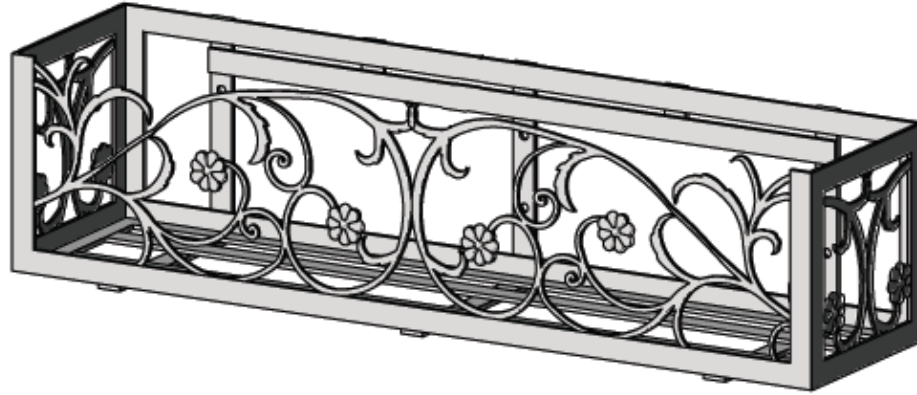
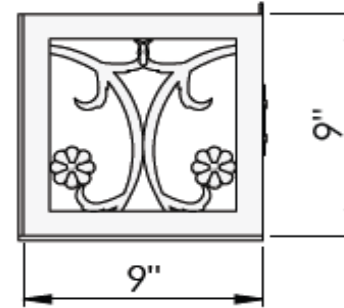


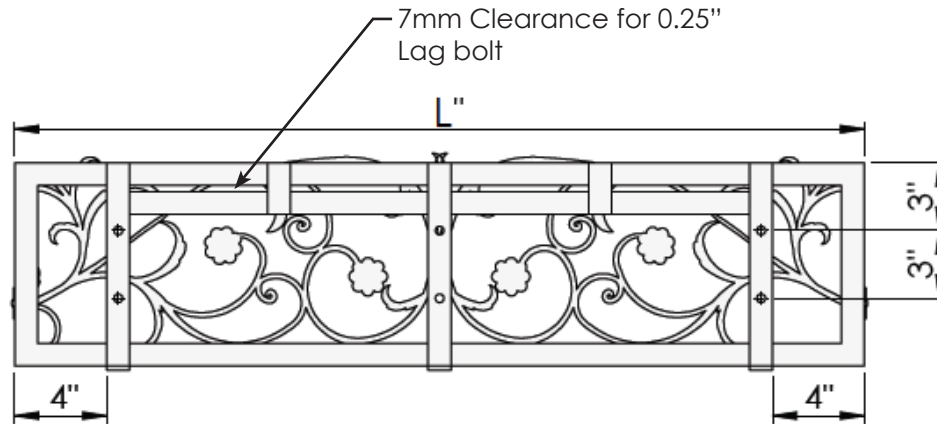
PERSPECTIVE VIEW



SIDE VIEW




BACK VIEW



| SIZE | L= Actual Dimensions for Liner Fitment |
|------|--|
| 24"  | 25" L x 9" W x 9" H                    |
| 30"  | 31" L x 9" W x 9" H                    |
| 36"  | 37" L x 9" W x 9" H                    |
| 42"  | 43" L x 9" W x 9" H                    |
| 48"  | 49" L x 9" W x 9" H                    |
| 60"  | 61" L x 9" W x 9" H                    |
| 72"  | 73" L x 9" W x 9" H                    |

**GENERAL NOTES**

1. Frame, 1"x.1875" Angle Aluminum. Bottom and Rear Supports 1" Aluminum Flat bar
2. Aluminum Floral Panels (KM 11-750), Use KM Panel or Manufacture to Specification. See Detail for How to Cut Pattern
3. Mounting Holes 3/8"
4. 7 mm clearance between Back Bars to allow .25" lag bolt to mount anywhere along slot created by double back bars or in mounting holes.

|   |                                   |               |               |             |                     |                           |
|---|-----------------------------------|---------------|---------------|-------------|---------------------|---------------------------|
| <br><b>HOOKS &amp; LATTICE</b><br>6056 Corte Del Cedro, Carlsbad CA 92011<br>1-888-320-0626/service@plantersunlimited.com<br>www.plantersunlimited.com | <b>PRODUCT DESCRIPTION</b>        |               | <b>SKU</b>    |             | <b>ORDER NUMBER</b> | <b>CUSTOMER SIGNATURE</b> |
|   | French Quarter Aluminum Windowbox |               | CM-701-X      |             |                     |                           |
|   | <b>DIMENSIONS</b>                 | <b>COLOR</b>  | <b>FINISH</b> | <b>REP:</b> | <b>DB:</b>          | <b>DATE</b>               |
|   | Black                             | Powder Coated |               |             |                     |                           |

