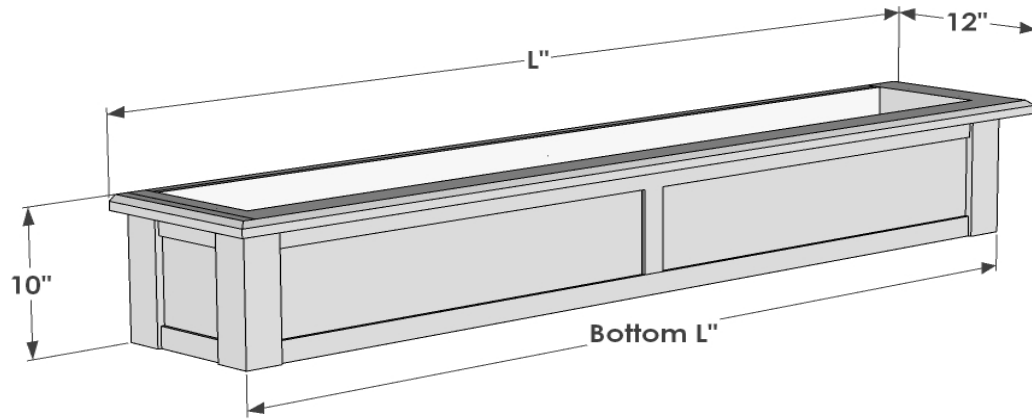
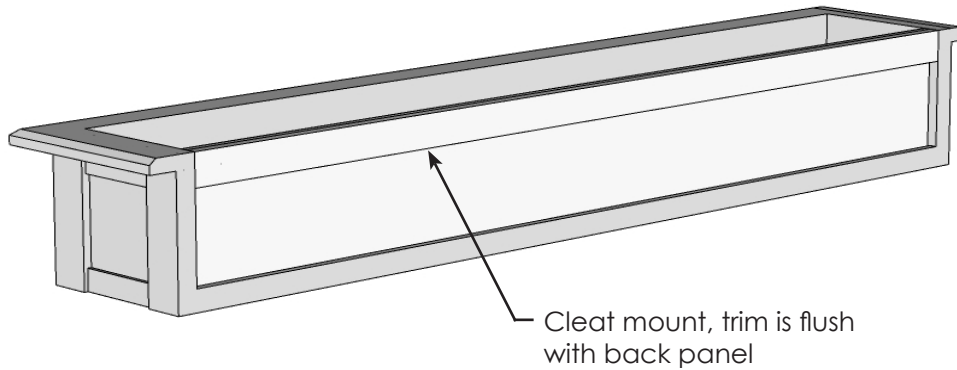


PERSPECTIVE VIEW




BACK PERSPECTIVE VIEW



L SIZE	Bottom Exterior Dimensions
24"	24"L x 11"W x 10"H
30"	30"L x 11"W x 10"H
36"	36"L x 11"W x 10"H
42"	42"L x 11"W x 10"H
48"	48"L x 11"W x 10"H
60"	60"L x 11"W x 10"H
72"	72"L x 11"W x 10"H

L SIZE	Top Exterior Dimensions
24"	27"L x 12"W x 10"H
30"	33"L x 12"W x 10"H
36"	39"L x 12"W x 10"H
42"	45"L x 12"W x 10"H
48"	51"L x 12"W x 10"H
60"	64"L x 12"W x 10"H
72"	75"L x 12"W x 10"H

GENERAL NOTES

 HOOKS & LATTICE 6056 Corte Del Cedro, Carlsbad CA 92011 1-888-320-0626/service@plantersunlimited.com www.plantersunlimited.com	PRODUCT DESCRIPTION		SKU		ORDER NUMBER	CUSTOMER SIGNATURE
	XL Hampton PVC Cleat Mount Windowbox		A2-300			
	DIMENSIONS	COLOR	FINISH	REP:	DB:	DATE

