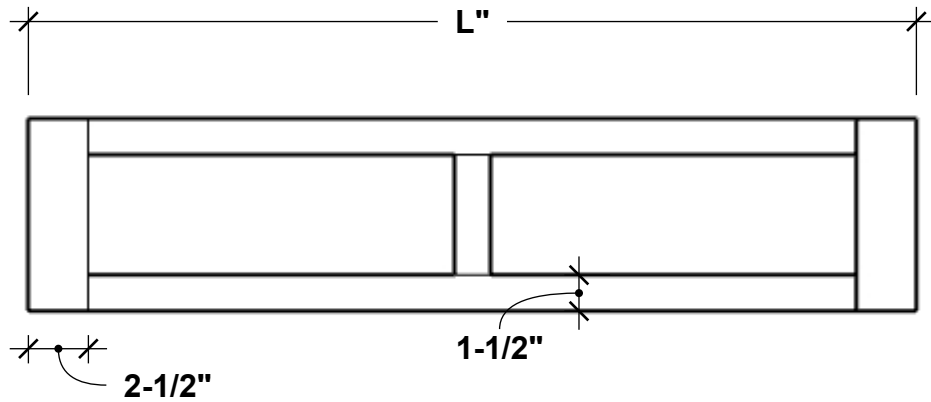
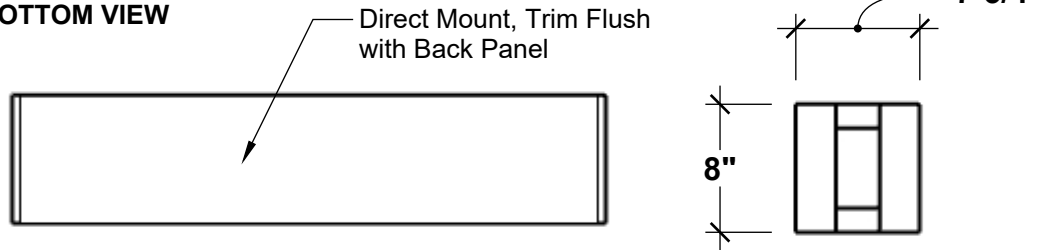


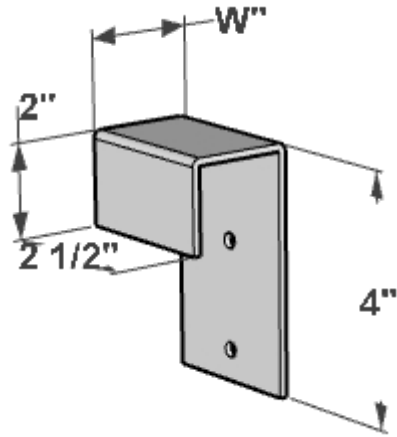
FRONT VIEW



BOTTOM VIEW



RAILING BRACKET



| L SIZE | Exterior Dimensions |
|--------|----------------------|
| 24" | 25"L x 7 3/4"W x 8"H |
| 30" | 31"L x 7 3/4"W x 8"H |
| 36" | 37"L x 7 3/4"W x 8"H |
| 42" | 43"L x 7 3/4"W x 8"H |
| 48" | 49"L x 7 3/4"W x 8"H |
| 60" | 61"L x 7 3/4"W x 8"H |
| 72" | 73"L x 7 3/4"W x 8"H |

| Bracket Width Options | |
|-----------------------|----------------------|
| 1"W | Fits 1" Wide Rail |
| 1.25"W | Fits 1.25" Wide Rail |
| 1.5"W | Fits 1.5" Wide Rail |
| 1.75"W | Fits 1.75" Wide Rail |
| 2"W | Fits 2" Wide Rail |

| GENERAL NOTES |
|--|
| 1. Direct Mount, Trim is Flush with Back Panel 2. The Window Box is made of 1/2" thick PVC trim adds 1" to length and 1/2" to width. 3. Stainless Steel Brackets slip over Flat Square Rails. Customer to drill Holes in back of Window Box, Aligning bracket. Screws NOT Included |

HOOKS & LATTICE

A CARLSBAD MANUFACTURING COMPANY

1 (800) 896-0978

HooksandLattice.com

| PRODUCT DESCRIPTION | | | | SKU | | | | PREPARED FOR | | APPROVAL SIGNATURE |
|---|----------|----------------|--------|-----------------|---------|-----|---------|--------------------------|--|--------------------|
| SOLERA RAILING PLANTER - FLAT METAL RAILING | | | | A2-025-X-417RBX | | | | | | |
| DIMENSIONS | MATERIAL | COLOR / FINISH | REP | DB | DATE | REV | ORDER # | PROJECT / SIDEMARK / IF# | | APPROVAL DATE |
| | | | Cressa | RM | 01/2025 | | | | | |

PLEASE NOTE: Due to the handmade nature of our products, individual measurements may vary from those listed. The provided dimensions are for reference only

All images are the intellectual property of Hooks and Lattice. Reproduction in any form is strictly prohibitive without the express written permission of Hooks and Lattice. All designs are property of Hooks and Lattice.