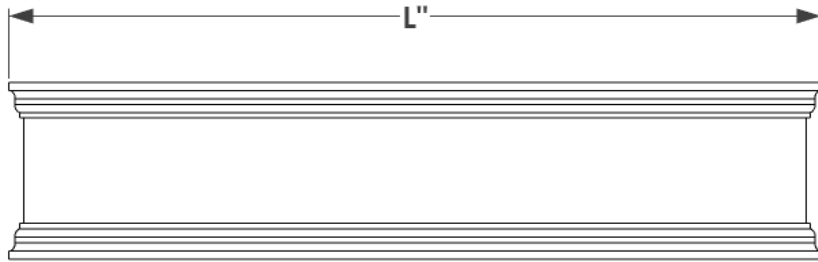
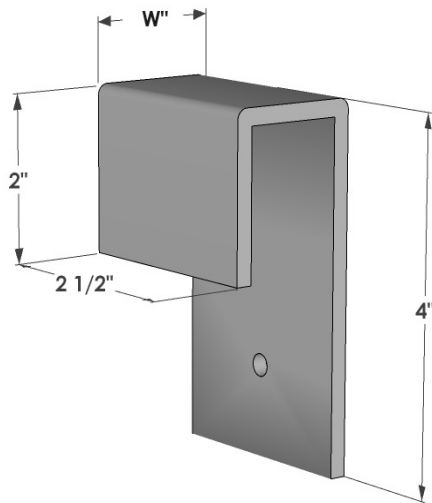


PERSPECTIVE VIEW

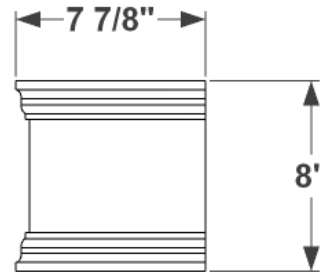


L SIZE	Exterior Dimensions
24"	25 1/4"L x 7 7/8"W x 8"H
30"	31 1/4"L x 7 7/8"W x 8"H
36"	37 1/4"L x 7 7/8"W x 8"H
42"	43 1/4"L x 7 7/8"W x 8"H
48"	49 1/4"L x 7 7/8"W x 8"H
60"	61 1/4"L x 7 7/8"W x 8"H
72"	73 1/4"L x 7 7/8"W x 8"H

RAILING BRACKET PERSPECTIVE VIEW



SIDE VIEW



Bracket Width Options	
1"W	Fits 1" Wide Rail
1.25"W	Fits 1.25" Wide Rail
1.5"W	Fits 1.5" Wide Rail
1.75"W	Fits 1.75" Wide Rail
2"W	Fits 2" Wide Rail

GENERAL NOTES

1. Stainless steel brackets slip over flat square rails.
2. Customer to drill holes in back of window box, aligning bracket.
3. Screws NOT included



**HOOKS & LATTICE**

6056 Corte del Cedro, Carlsbad, CA 92011  
 sales@hooksandlattice.com  
 800-896-0978

PRODUCT DESCRIPTION		SKU				ORDER NUMBER	CUSTOMER SIGNATURE
Laguna Railing Planter – Flat Metal Rail		A2-015-X-417RB100					
DIMENSIONS		COLOR	FINISH	REP:	DB:	DATE	
		WH					

