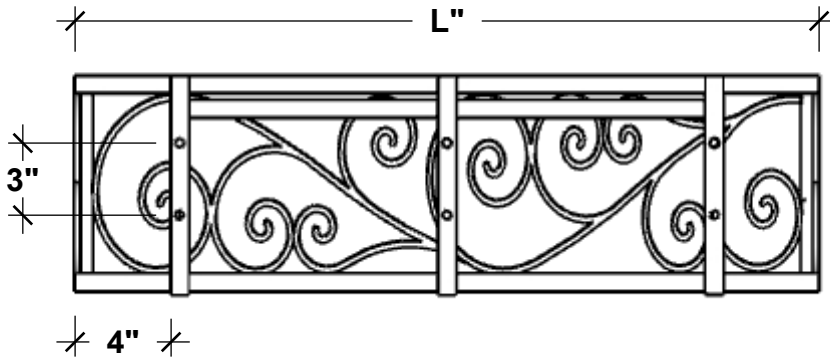


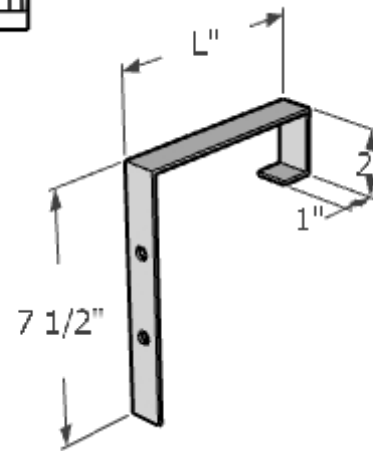
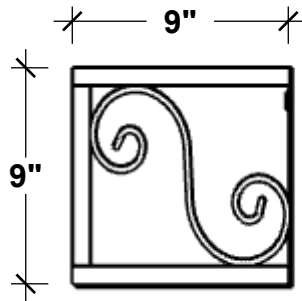
PERSPECTIVE VIEW



BACK VIEW



SIDE VIEW



Size	Actual Dimensions of Liner Fitment
24"	25"
30"	31"
36"	37"
42"	43"
48"	49"
60"	61"
72"	73"

Flat Rail Bracket Size	L=Length Dimension
2x4	4 x 7 1/2 x 2
2x6	6 x 7 1/2 x 2
2x8	8 x 7 1/2 x 2

GENERAL NOTES
1. Frame Fabricated with 3/4" x 1/8" Flat Bar 2. Scrollwork 1/4" Dia. Thk Round Bar 3. Mounting Holes 0.28" Dia. (7mm) 4. Cage Interior Dimensions fit 8" Pots or L" Size x 8" x 8" Liters 5. Scroll design can vary with Size. 6. 1" Mounting Straps along the Back with Pre-Drilled Holes. Bracket hardware Included.

HOOKS & LATTICE

A CARLSBAD MANUFACTURING COMPANY

1 (800) 896-0978

HooksandLattice.com

PRODUCT DESCRIPTION				SKU				PREPARED FOR		APPROVAL SIGNATURE
WAYFARER RAILING PLANTER FOR WOOD RAILINGS (2x4, 2x6, 2x8)				549C-X-415RB-X						
DIMENSIONS	MATERIAL	COLOR / FINISH	REP	DB	DATE	REV	ORDER #	PROJECT / SIDEMARK / IF#	APPROVAL DATE	
			Cressa	RM	02/2025					

PLEASE NOTE: Due to the handmade nature of our products, individual measurements may vary from those listed. The provided dimensions are for reference only

All images are the intellectual property of Hooks and Lattice. Reproduction in any form is strictly prohibitive without the express written permission of Hooks and Lattice. All designs are property of Hooks and Lattice.