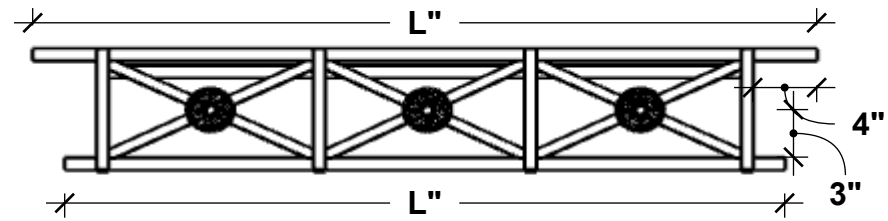
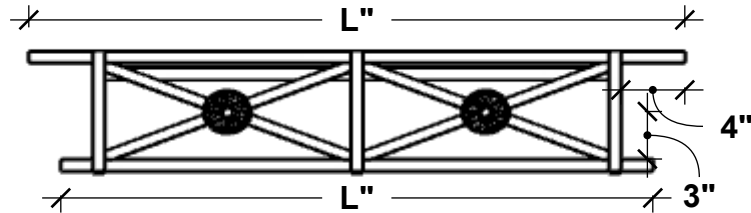
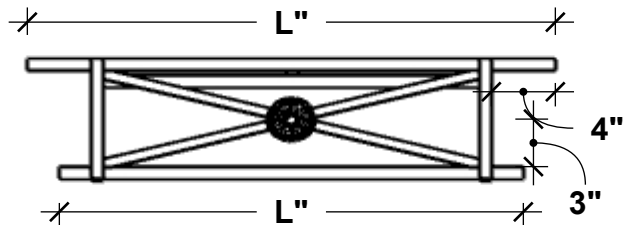


**FRONT VIEW**

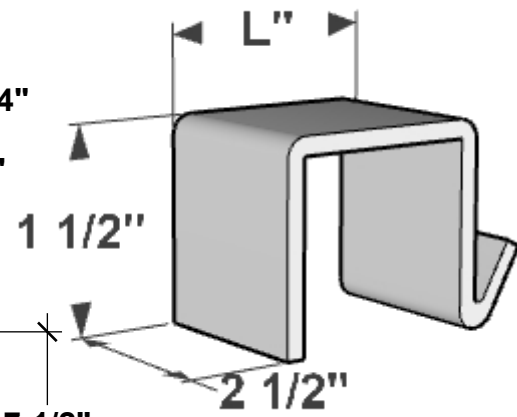
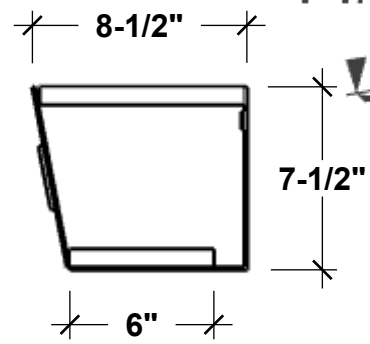
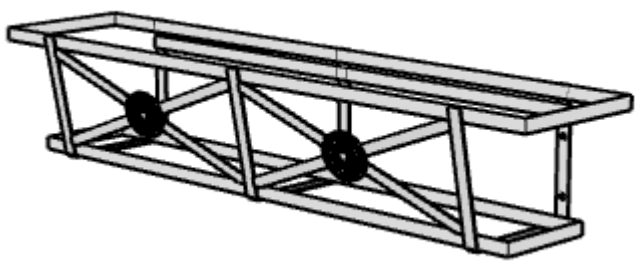


Size	L=Actual Dimensions Liner Fitment
24"	25" Top 22" Bottom
30"	31" Top 28" Bottom
36"	37" Top 34" Bottom

Size	L=Actual Dimensions Liner Fitment
42"	43" Top 40" Bottom
48"	49" Top 46" Bottom

Size	L=Actual Dimensions Liner Fitment
60"	61" Top 58" Bottom
72"	73" Top 70" Bottom

**PERSPECTIVE VIEW**



Bracket Width Options	
1"W	Fits 1" Wide Rail
1.25"W	Fits 1.25" Wide Rail
1.5"W	Fits 1.5" Wide Rail
1.75"W	Fits 1.75" Wide Rail
2"W	Fits 2" Wide Rail

GENERAL NOTES
1. Frame, back and bottom supports: 3/4"W x 1/8"Thk Flat Bar 2. Medallion: KM 45-9050 3. (7mm) Clearance between back bars to allow Bracket Pairs to Mount anywhere along slot. 4. Simply place the Bracket on Top of the Railing and the back of the flower Planter Box will securely sit in the V-Shape of the Bracket. No Hardware is Necessary

**HOOKS & LATTICE**

A CARLSBAD MANUFACTURING COMPANY

1 (800) 896-0978

HooksandLattice.com

PRODUCT DESCRIPTION				SKU				PREPARED FOR		APPROVAL SIGNATURE
MEDALLION RAILING PLANTER FOR FLAT METAL RAILINGS				509B-X-413RB-X						
DIMENSIONS	MATERIAL	COLOR / FINISH	REP	DB	DATE	REV	ORDER #	PROJECT / SIDEMARK / IF#	APPROVAL DATE	
			Cressa	RM	01/2025					

PLEASE NOTE: Due to the handmade nature of our products, individual measurements may vary from those listed. The provided dimensions are for reference only  
 All images are the intellectual property of Hooks and Lattice. Reproduction in any form is strictly prohibitive without the express written permission of Hooks and Lattice. All designs are property of Hooks and Lattice.