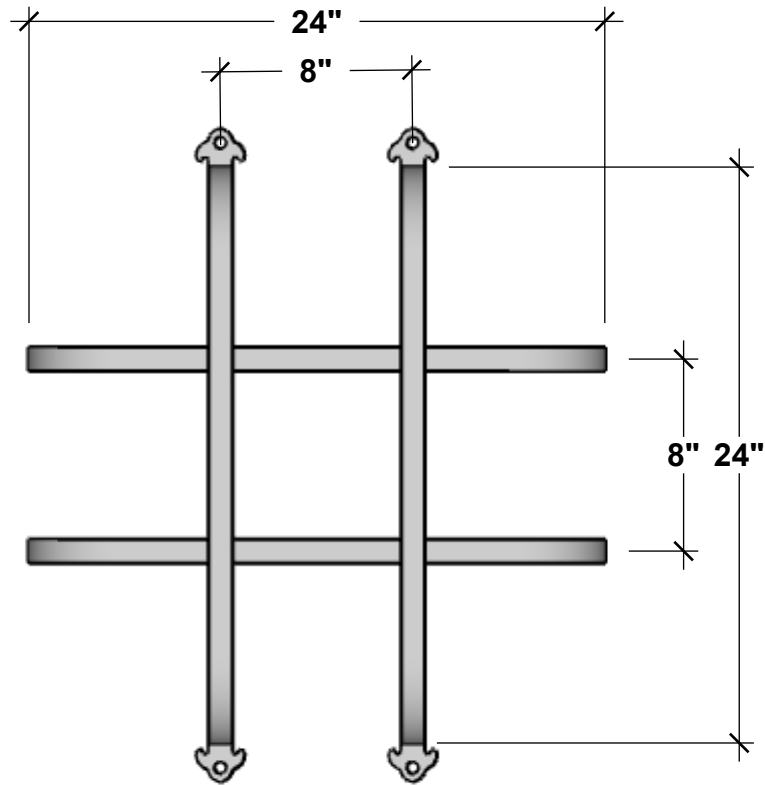
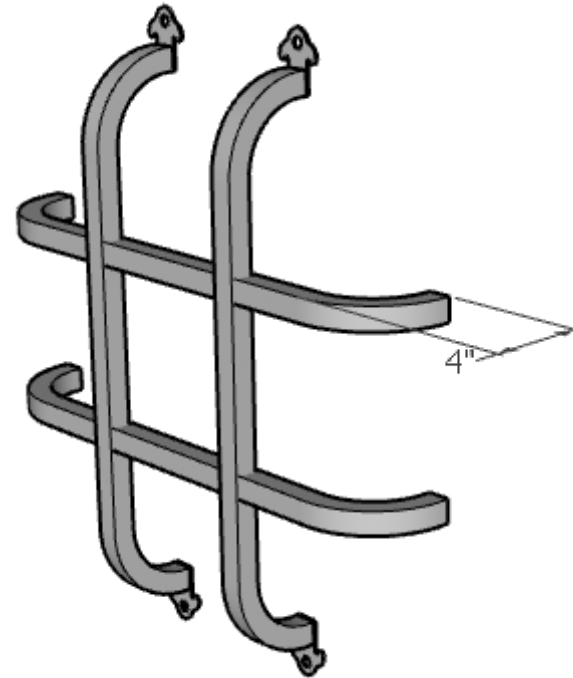


FRONT VIEW



PERSPECTIVE VIEW



GENERAL NOTES

1. 1 inch square tube frame, separated 8 inches on center.
2. 4 inch offsets
3. (4) Weld tabs, King Metals 44-2

HOOKS & LATTICE

A CARLSBAD MANUFACTURING COMPANY

1 (800) 896-0978

HooksandLattice.com

PRODUCT DESCRIPTION				SKU				PREPARED FOR		APPROVAL SIGNATURE
SIMPLE WROUGHT EXTERIOR ACCENT				813-WG-240424-4BAR-BLK						
DIMENSIONS	MATERIAL	COLOR / FINISH	REP	DB	DATE	REV	ORDER #	PROJECT / SIDEMARK / IF#	APPROVAL DATE	
24" x 24"	STEEL	Black	Cressa	RM	10/2024	-				

PLEASE NOTE: Due to the handmade nature of our products, individual measurements may vary from those listed. The provided dimensions are for reference only

All images are the intellectual property of Hooks and Lattice. Reproduction in any form is strictly prohibitive without the express written permission of Hooks and Lattice. All designs are property of Hooks and Lattice.