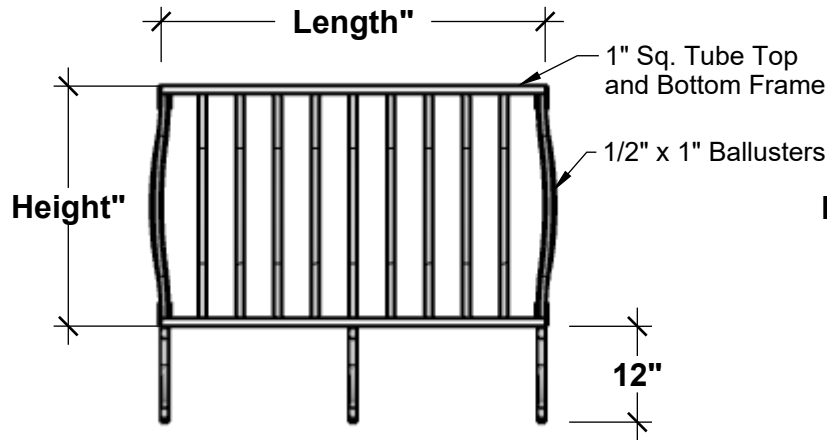
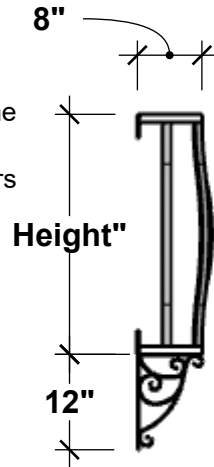


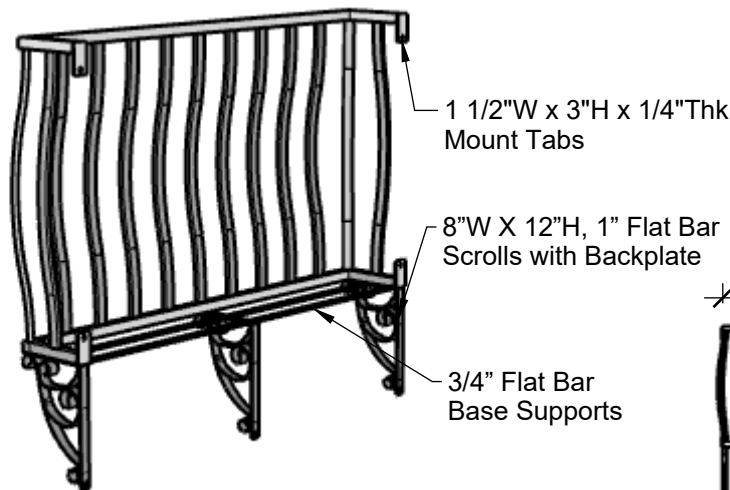
FRONT VIEW



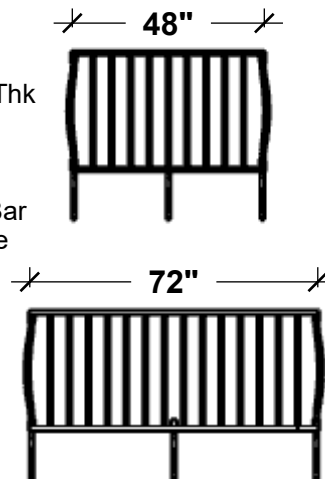
SIDE VIEW



BACK VIEW



SIZE COMPARISON



Standard Length Options

- 36"
- 48"
- 54"
- 60"
- 72"
- 84"

Standard Height Options

- 30"
- 36"
- 42"

Color Options

- Black Powder Coat
- Bronze Tone Powder Coat

GENERAL NOTES

Front Balusters: 1"W x 1/2"Thk, Corners Rotated 45° Extends 7/8"
 Top and Bottom Frame: 1" Square Tube
 Bottom Supports: 3/4"W x 3/16"Thk Flat Bar
 Scrollwork Supports: 1"W x 3/16"Thk Flat Bar

1. Faux Balcony and Scroll Supports come Separately
2. Mounting Holes 1/2" Dia.
3. No more than 4" Between Balusters

HOOKS & LATTICE

A CARLSBAD MANUFACTURING COMPANY

1 (800) 896-0978

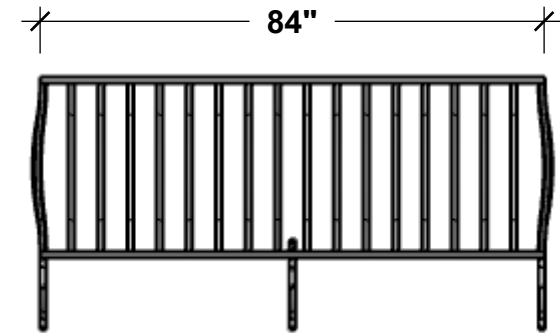
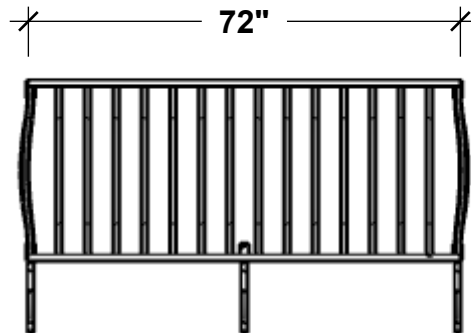
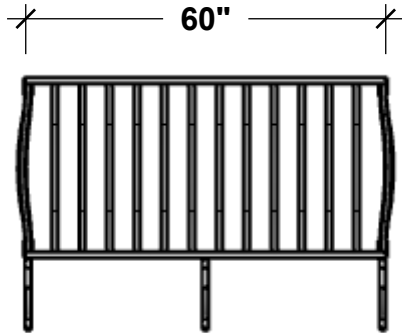
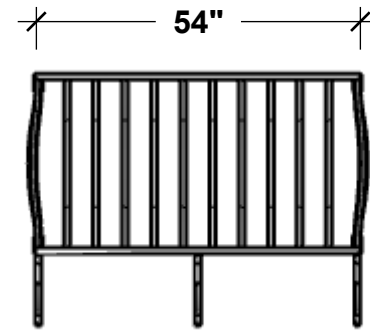
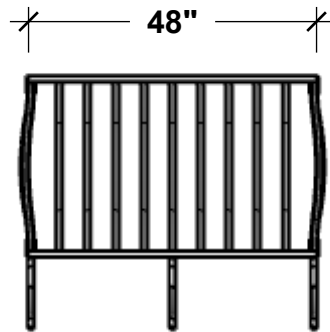
HooksandLattice.com

PRODUCT DESCRIPTION				SKU				PREPARED FOR		APPROVAL SIGNATURE
VICENZA FAUX BALCONY				703-BAL						
DIMENSIONS	MATERIAL	COLOR / FINISH	REP	DB	DATE	REV	ORDER #	PROJECT / SIDEMARK / IF#	APPROVAL DATE	
			Cressa	RM	10/2024					

PLEASE NOTE: Due to the handmade nature of our products, individual measurements may vary from those listed. The provided dimensions are for reference only

All images are the intellectual property of Hooks and Lattice. Reproduction in any form is strictly prohibitive without the express written permission of Hooks and Lattice. All designs are property of Hooks and Lattice.

SIZE COMPARISON



HOOKS & LATTICE

A CARLSBAD MANUFACTURING COMPANY

1 (800) 896-0978

HooksandLattice.com

GENERAL NOTES

Front Balusters: 1"W x 1/2"Thk, Corners Rotated 45° Extends 7/8"
 Top and Bottom Frame: 1" Square Tube
 Bottom Supports: 3/4"W x 3/16"Thk Flat Bar
 Scrollwork Supports: 1"W x 3/16"Thk Flat Bar

1. Faux Balcony and Scroll Supports come Separately
2. Mounting Holes 1/2" Dia.
3. No more than 4" Between Balusters

PRODUCT DESCRIPTION				SKU				PREPARED FOR		APPROVAL SIGNATURE
VICENZA FAUX BALCONY				703-BAL						
DIMENSIONS	MATERIAL	COLOR / FINISH	REP	DB	DATE	REV	ORDER #	PROJECT / SIDEMARK / IF#	APPROVAL DATE	
			Cressa	RM	10/2024					

PLEASE NOTE: Due to the handmade nature of our products, individual measurements may vary from those listed. The provided dimensions are for reference only

All images are the intellectual property of Hooks and Lattice. Reproduction in any form is strictly prohibitive without the express written permission of Hooks and Lattice. All designs are property of Hooks and Lattice.